

AUK 1000

MULTI-DRIVE CONTROL BOX

POWER DISTRIBUTION &
CONTROL



Multi-function applications with capacity up to 400A and 1100V

Customised isolator and drive options

Independent or sequenced drive control

Programmable settings on HMI via IS touch pad

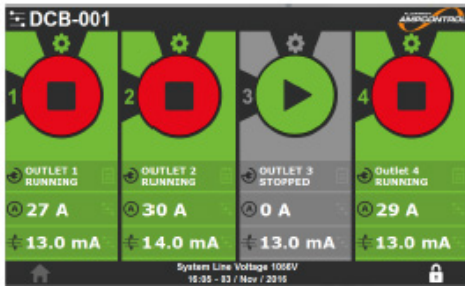
Up to four outlets per unit, free standing or assembled into multiple configurations



ALLENWEST
AMPCONTROL

AUK1000

MULTI-DRIVE CONTROL BOX



The AUK1000 is the advanced multi-function technology base for Ampcontrol's power distribution solutions, such as motor starters and circuit breakers. The AUK1000's primary role is the reliable control, monitoring and protection of electrically driven plant and machinery in hazardous underground mining or petro-chemical environments. It offers advanced safety, productivity and maintenance features as well as a durable flameproof enclosure.

HIGH CAPACITY AND FLEXIBILITY

The AUK1000 is highly customisable to mine site application. As a motor starter unit, the unit houses up to four drives, meaning several machines can be supplied independently or sequentially. Multiple units can be assembled into a board configuration for expanded capacity. The unit can also house circuit breakers, lighting transformers, IS power supplies, soft starters or a combination of all these.

ADVANCED SAFETY AND TECHNOLOGY

Each AUK1000 includes an integrated HMI which provides user control flexibility, including the independent operation or sequencing of drives. The 1100V power distribution outlets are provided with our proven multifunction microprocessor controlled protection electronics, ensuring the unit meets electrical protection standards.

IMPROVED MAINTENANCE AND PRODUCTIVITY

Designed to replace or partner with existing plant, the AUK1000 boasts a compact footprint and is quickly and easily repaired or retrofitted to ensure minimal production downtime.

INFORMATION DISPLAY AND MONITORING

An integrated multifunction colour LED display provides easy operation, fault finding and drive protection configuration.

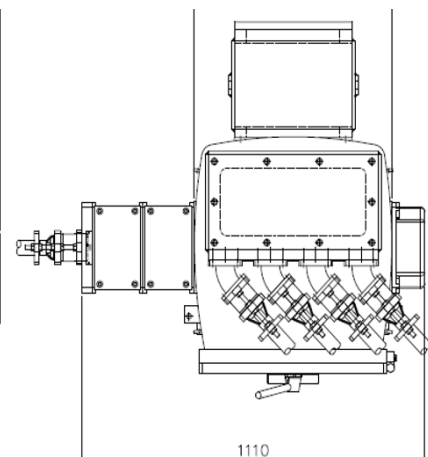
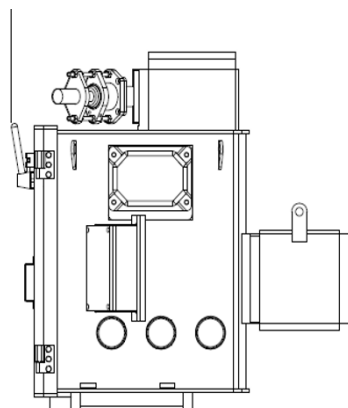
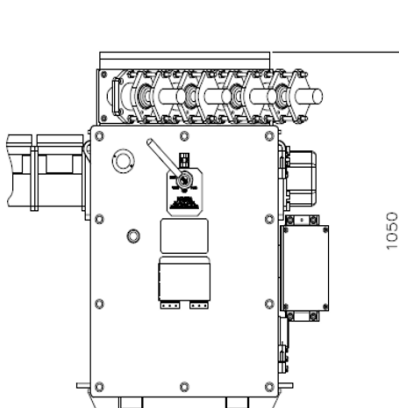
PROTECTION FUNCTIONS

Specifically integrated into the power assembly, the multifunction protection electronics improves system performance and reliability as the single assembly contains all required protection functions including the high voltage connection, plug and socket connections for all power and I/O wiring, Ethernet communication and IS barriers.

All of the protection functions are combined into a compact, plug in unit, which can be easily removed in situ without the need to remove the heavier power cassette, not only minimising downtime but personnel manual handling risks.

PROTECTION FUNCTIONS INCLUDE:

- Earth leakage
- Earth fault lockout
- Earth continuity (including remote start mode)
- Contactor failure protection
- Motor thermal overload protection
- Short circuit protection
- Under current protection
- Current balance protection
- Under voltage protection
- Automatic HV insulation test prior to outlet closing



AUK1000

MULTI-DRIVE CONTROL BOX




AUK1000 Options	Isolator		Contactor / Circuit Breaker / Lighting / Intrinsically Safe
S	400A	-On/Off/Fwd/Rev/Test	400A
2S	400A	-On/Off/Fwd/Rev/Test	2 x 400A
3S	400A	-On/Off/Fwd/Rev/Test	1 x 400A + 2 x 150A
4S	400A	-On/Off/Fwd/Rev/Test	4 x 150A
SL	400A	-On/Off/Fwd/Rev/Test	1 x 400A, 5kVA
2SL	400A	-On/Off/Fwd/Rev/Test	2 x 150A, 5kVA
SI	400A	-On/Off/Fwd/Rev/Test	1 x 400A, 6 IS psu's
2SI	400A	-On/Off/Fwd/Rev/Test	2 x 150A, 6 IS psu's
SR	400A	-On/Off/Fwd/Rev/Test	1 x 400A and 1 x 150A Forward / Reverse
2SR	400A	-On/Off/Fwd/Rev/Test	2 x 150A and 1 x 150A Forward / Reverse
RR	400A	-On/Off/Fwd/Rev/Test	2 x 150A Forward / Reverse
RL	400A	-On/Off/Fwd/Rev/Test	1 x 150A Forward / Reverse, 5kVA
RI	400A	-On/Off/Fwd/Rev/Test	1 x 150A Forward / Reverse, 6 IS psu
L	400A	-On/Off	1 x 5kVA
2L	400A	-On/Off	2 x 5kVA
LI	400A	-On/Off	1 x 5kVA, 6 IS psu's
I	400A	-On/Off	6 x IS psu's
2I	400A	-On/Off	12 x IS psu's
CBHA	400A	-On/Off/Earth	630A Circuit Breaker, Hand Operated
CBMO	400A	-On/Off/Earth	630A Circuit Breaker, Motor Operated
Soft Starter	Optional		By-pass to suit application up to 400A
CBS	400A	-On/Off/Test/Earth	400A, Contactor and 630A Circuit Breaker

DO YOU HAVE ANY QUESTIONS?

ALLENWEST AMPCONTROL INDIA

17, M Galleria, MR Enterprises,
Vyapar Vihar Bilaspur, (C.G) 495001 India


 +91 7752 416322

 info@allenwestampcontrol.in

 allenwestampcontrol.in

AMPCONTROL UK

65 Third Avenue Heatherhouse Industrial
Estate Irvine KA12 8HN UNITED KINGDOM

 +44 (0) 1294 273111

 uksales@ampcontrolgroup.co.uk

 ampcontrolgroup.co.uk